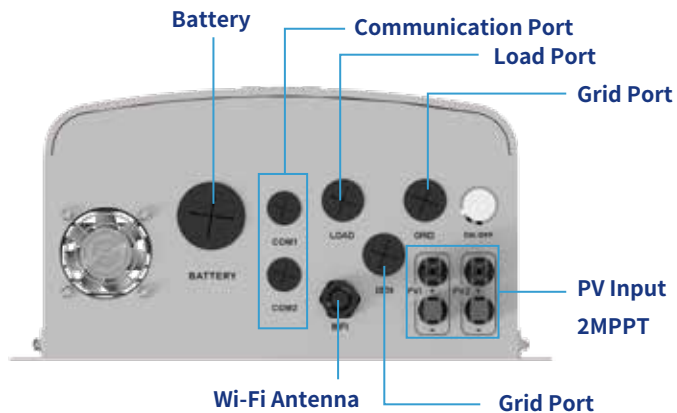


Model	SUN-3K-OG01LP1 -24-EU-AM2	SUN-3.6K-OG01LP1 -EU-AM2	SUN-5K-OG01LP1 -EU-AM2	SUN-6K-OG01LP1 -EU-AM2
Battery Input Data				
Battery Type	Lead-acid or Lithium-ion			
Battery Voltage Range (V)	20-30	40-60		
Max. Charging Current (A)	130	90	120	135
Max. Discharging Current (A)	130	90	120	135
Charging Strategy for Li-ion Battery	Self-adaption to BMS			
Number of Battery Input	1			
PV String Input Data				
Max. PV Access Power (W)	6000	7200	10000	12000
Max. PV Input Power (W)	4800	5760	8000	9600
Max. PV Input Voltage (V)	500			
Start-up Voltage (V)	125			
PV Input Voltage(V)	125-500			
MPPT Voltage Range(V)	150-425			
Full Load MPPT Voltage Range(V)	300-425			
Rated PV Input Voltage (V)	370			
Max. Operating PV Input Current (A)	18	18+18		
Max. Input Short-Circuit Current (A)	27	27+27		
No. of MPP Trackers/No. of Strings MPP Tracker	1/1	2/1+1		
Max. Inverter Backfeed Current to The Array(A)	0			
AC Output Data				
Rated AC Output Power (VA/W)	3000	3600	5000	6000
Max. AC Output Power (VA/W)	3000	3600	5000	6000
Max. AC Output Current (A)	13.1	15.7	21.8	26.1
Peak Power (W)	2 times of rated power, 10s			
Rated Output Voltage (V)	230			
Output Type	L+N+PE			
Rated Output Frequency	50Hz / 60Hz			
Output Voltage Waveform	Pure Sine Wave			
Total Current Harmonic Distortion THDi	<3%			
AC Input Date(Grid and Generator)				
Max. Input Power to Battery (W)	3000	3600	5000	6000
Rated Input Voltage (V)	230			
Rated Input Frequency	50Hz / 60Hz			
Gird Input Current (A)	35			
Generator Input Current (A)	35			
Efficiency				
Max. Efficiency	97.60%			
Euro Efficiency	96.50%			
MPPT Efficiency	>99%			
Equipment Protection				
Integrated	DC Reverse Polarity Protection, AC Output Overcurrent Protection, Thermal Protection, AC Output Overvoltage Protection, AC Output Short Circuit Protection, DC Component Monitoring, Arc Fault Circuit Interrupter (optional), Insulation Impedance Detection, DC Switch			
Surge Protection Level	TYPE II(DC), TYPE II(AC)			
Interface				
LCD/LED Display	LCD			
Communication Interface	WIFI/RS485/CAN/Bluetooth			
General Data				
Max. Operating Frequency(Hz)	200M			
Operating Temperature Range (°C)	-40 to +60°C, >45°C Derating			
Permissible Ambient Humidity	0-100%			
Permissible Altitude	3000m			
Noise (dB)	<55			
Ingress Protection(IP) Rating	IP 65			
Inverter Topology	Non-Isolated			
Over Voltage Category	OVC II(DC), OVC III(AC)			
Cabinet Size (WxHxD mm)	306×427.5×175.77 (Excluding Connectors and Brackets)			
Weight (kg)	12.65			
Type of Cooling	Intelligent Air Cooling			
Warranty	Standard 5 years, extended warranty			
Safety / EMC Standard	IEC62109-1/-2, EN61000-6-1,EN61000-6-2,EN61000-6-3,EN61000-6-4			



- ◎ Battery Port: Connects to the battery for energy storage, supporting 40-60V DC with a max charge/discharge current of 135A.
- ◎ Communication Port: Enables data exchange and system monitoring for seamless operation.
- ◎ Load Port: Delivers stable AC power to connected household loads.
- ◎ Grid Port: Links to the utility grid for energy exchange and system stability.
- ◎ Generator Port: Connects to a backup generator for additional power supply during outages.
- ◎ PV Input: Supports solar panel connection with 2 MPPTs, handling up to 9600W input power.
- ◎ Wi-Fi Antenna: Allows wireless connectivity for remote monitoring and system management.